

1

2

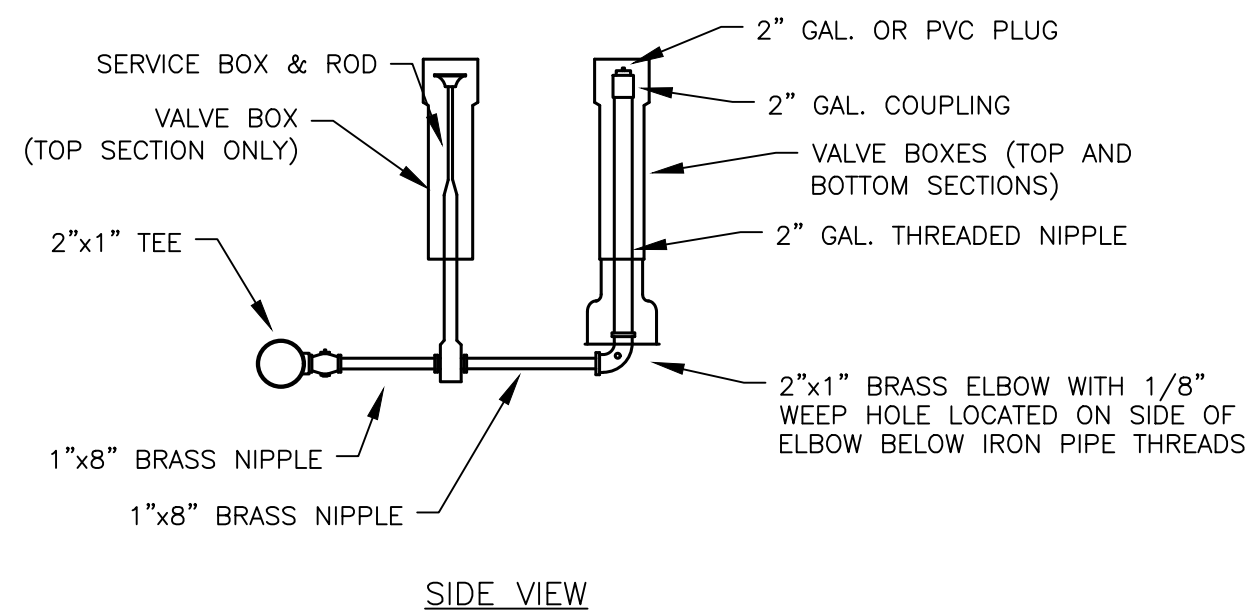
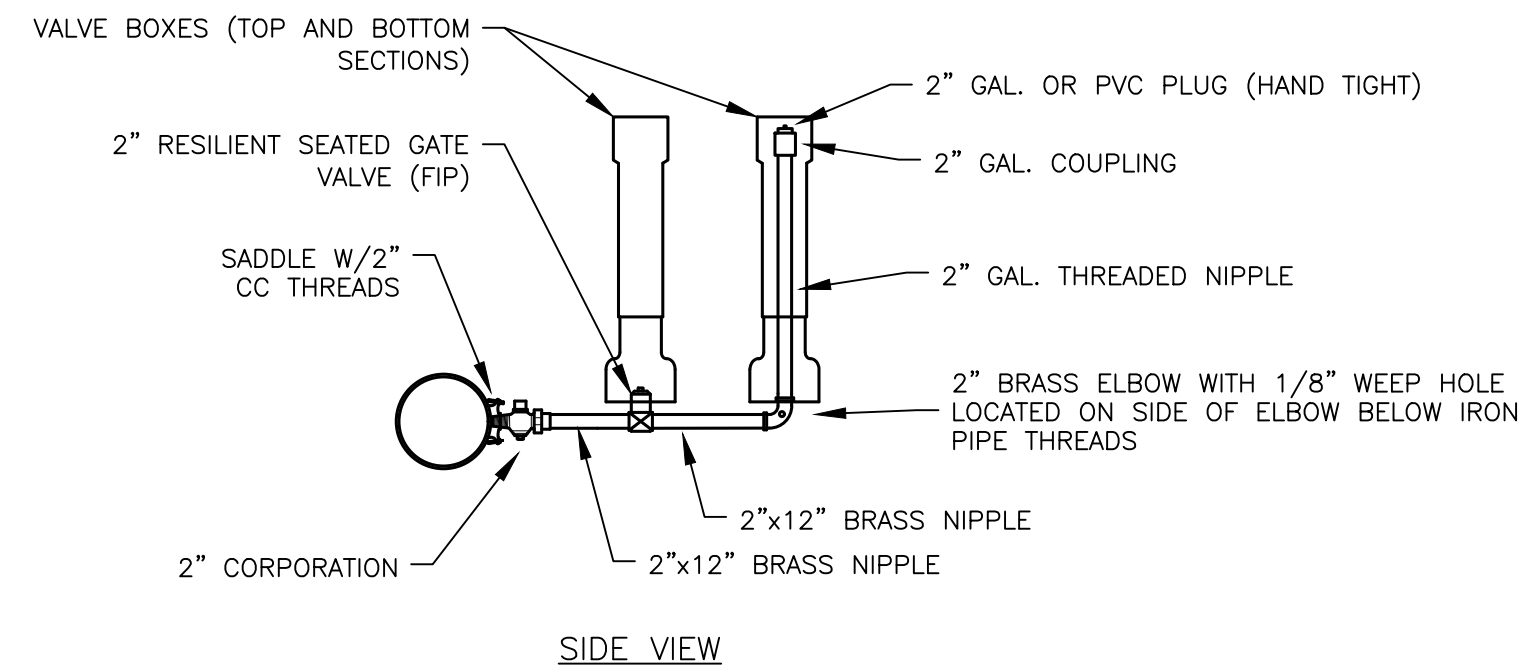
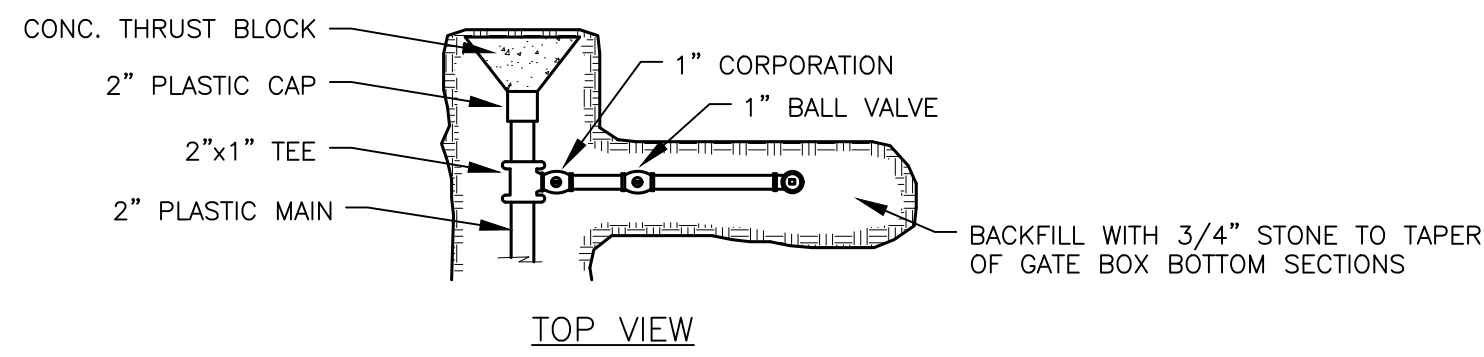
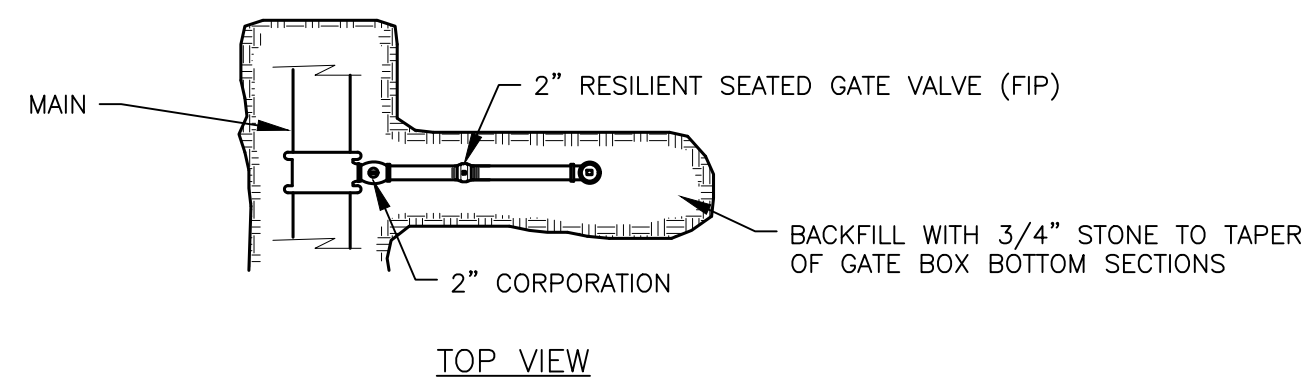
3

4

5

6

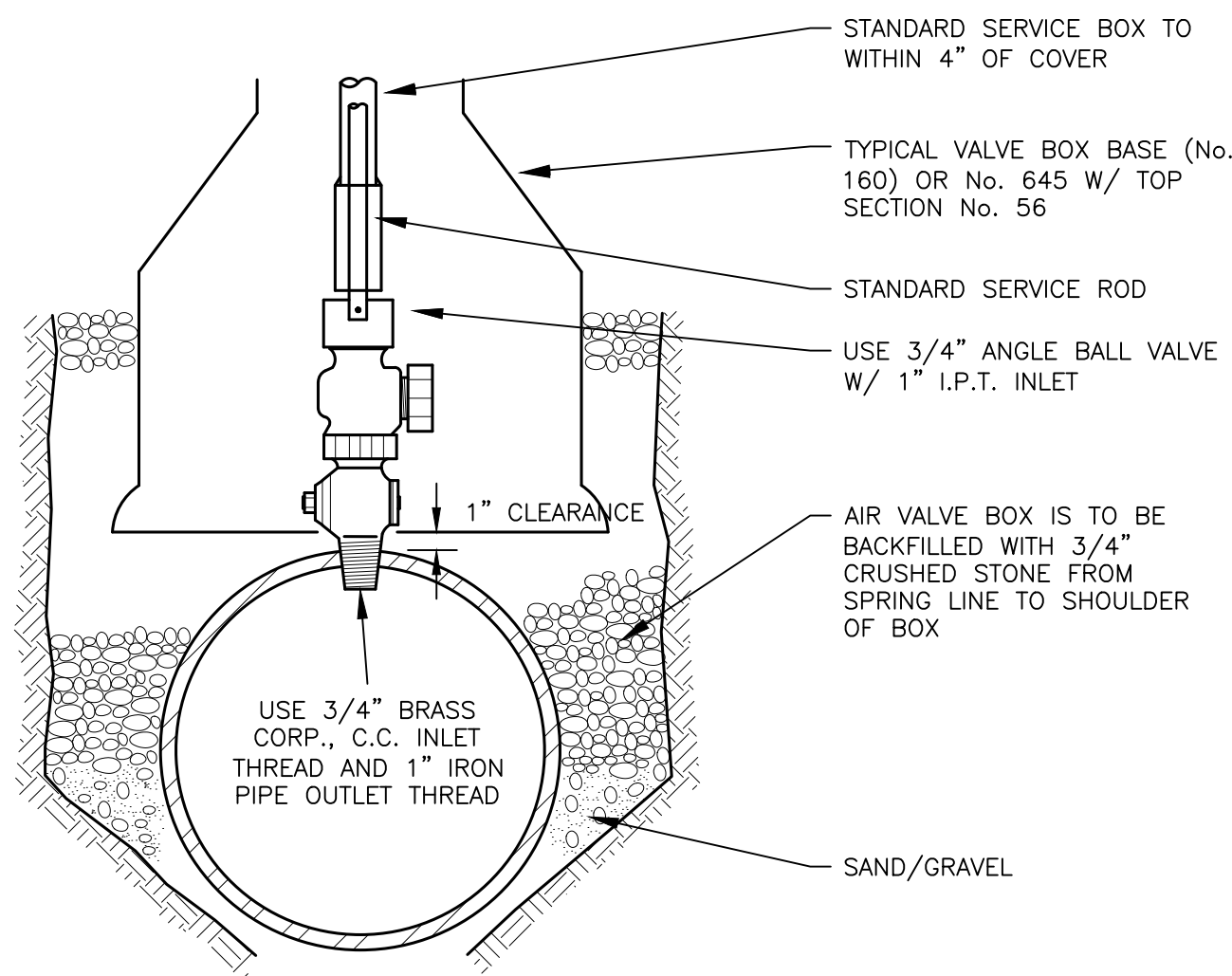
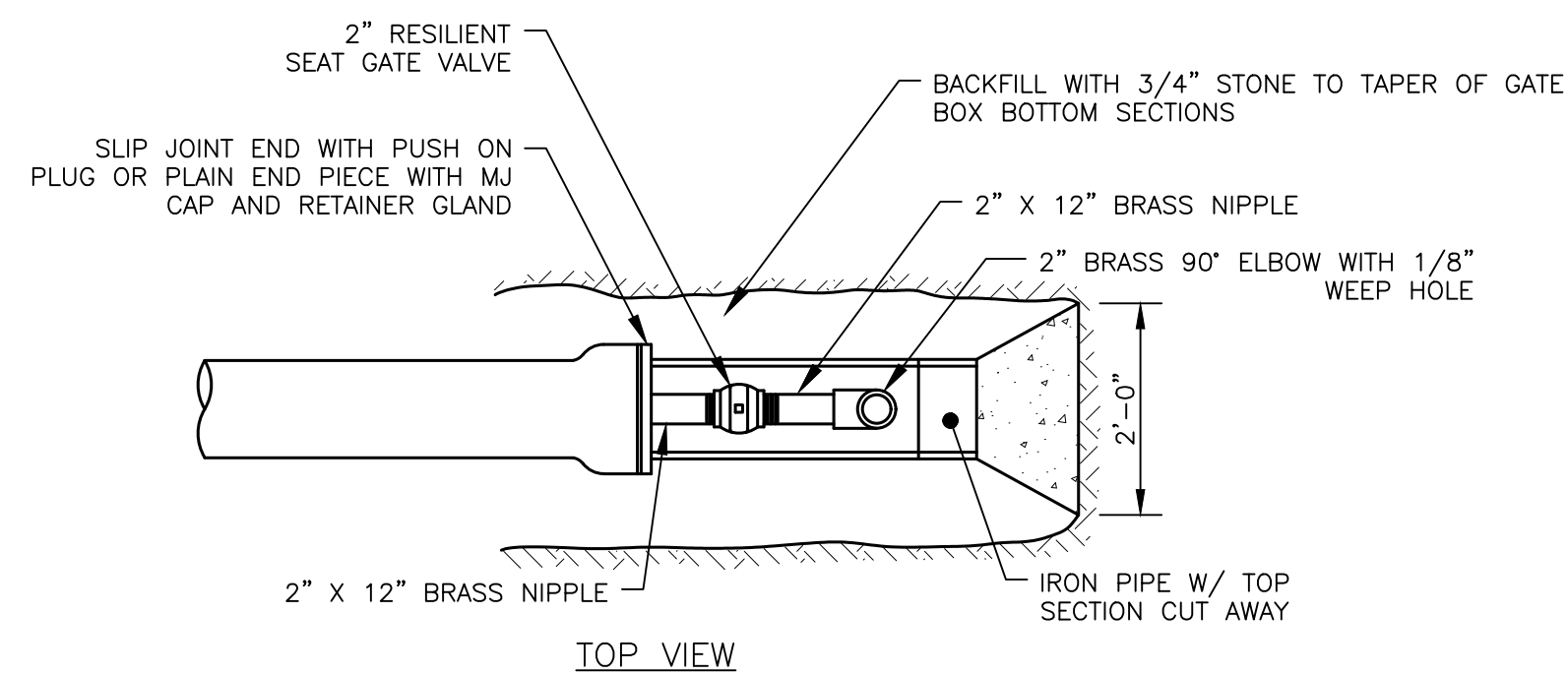
A



SIDE-ARM BLOW-OFF (4" & LARGER MAINS)

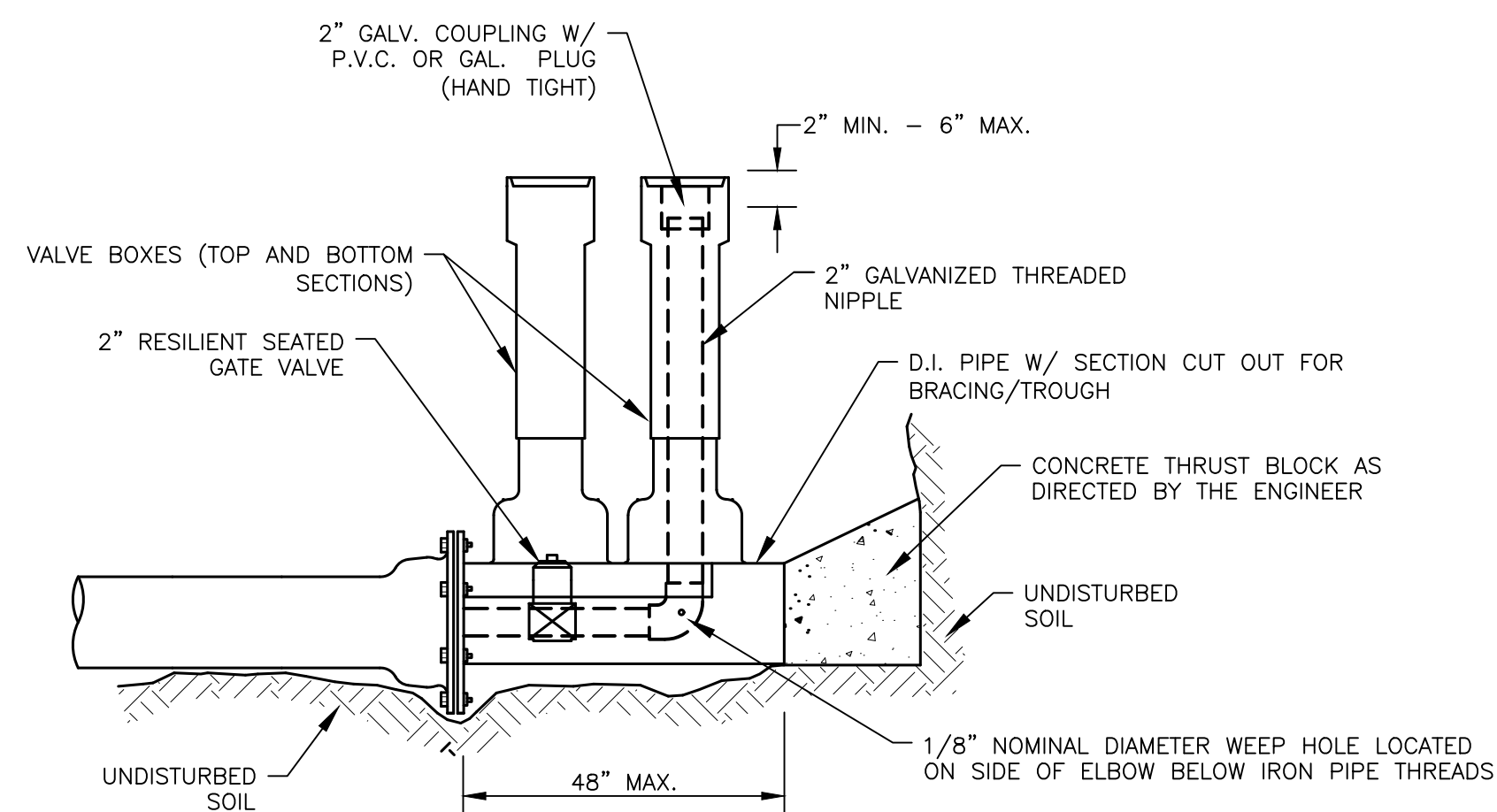
SIDE-ARM BLOW-OFF (2" MAIN)

B



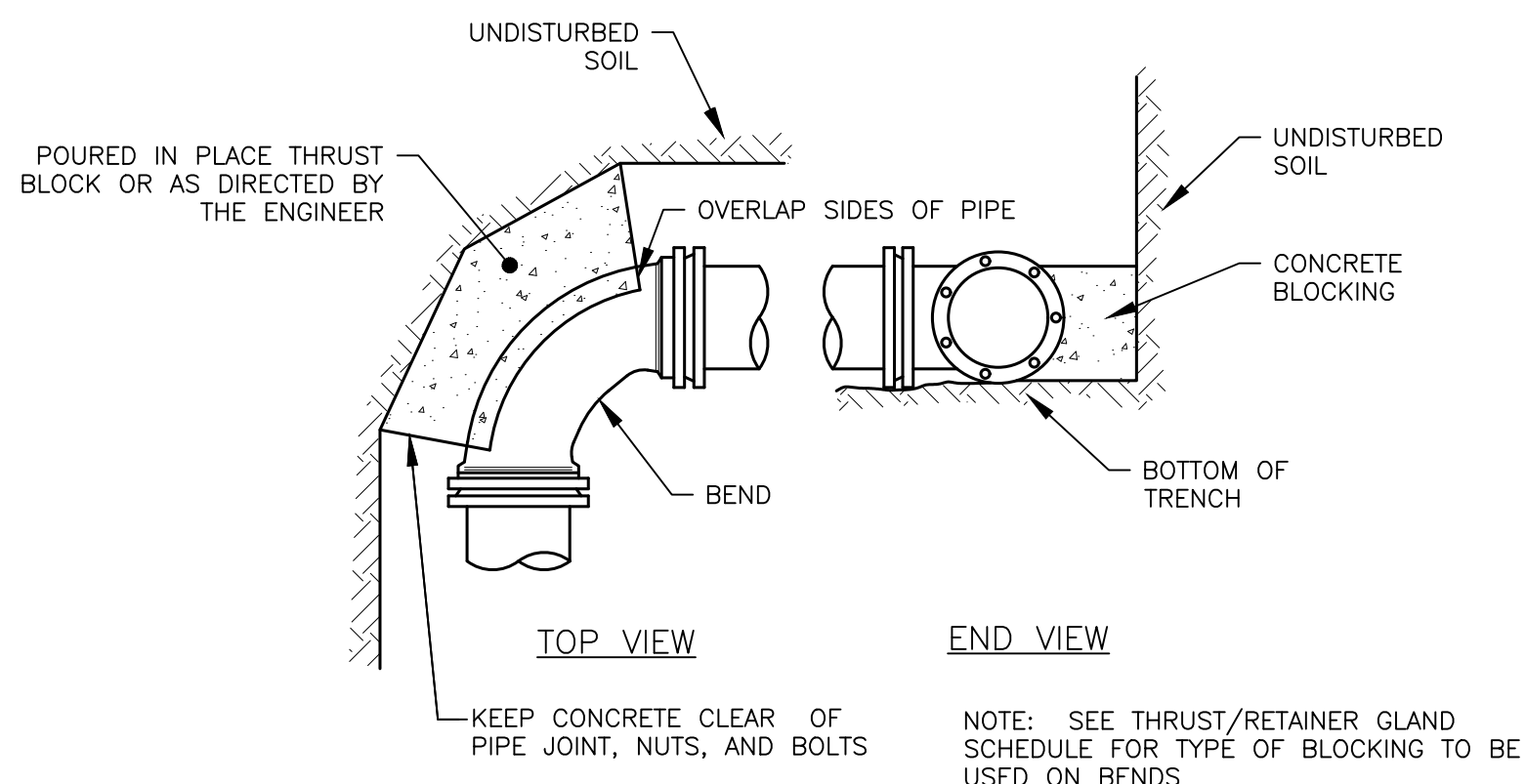
TYPICAL AIR VALVE (1")

C



STANDARD 2" BLOW OFF

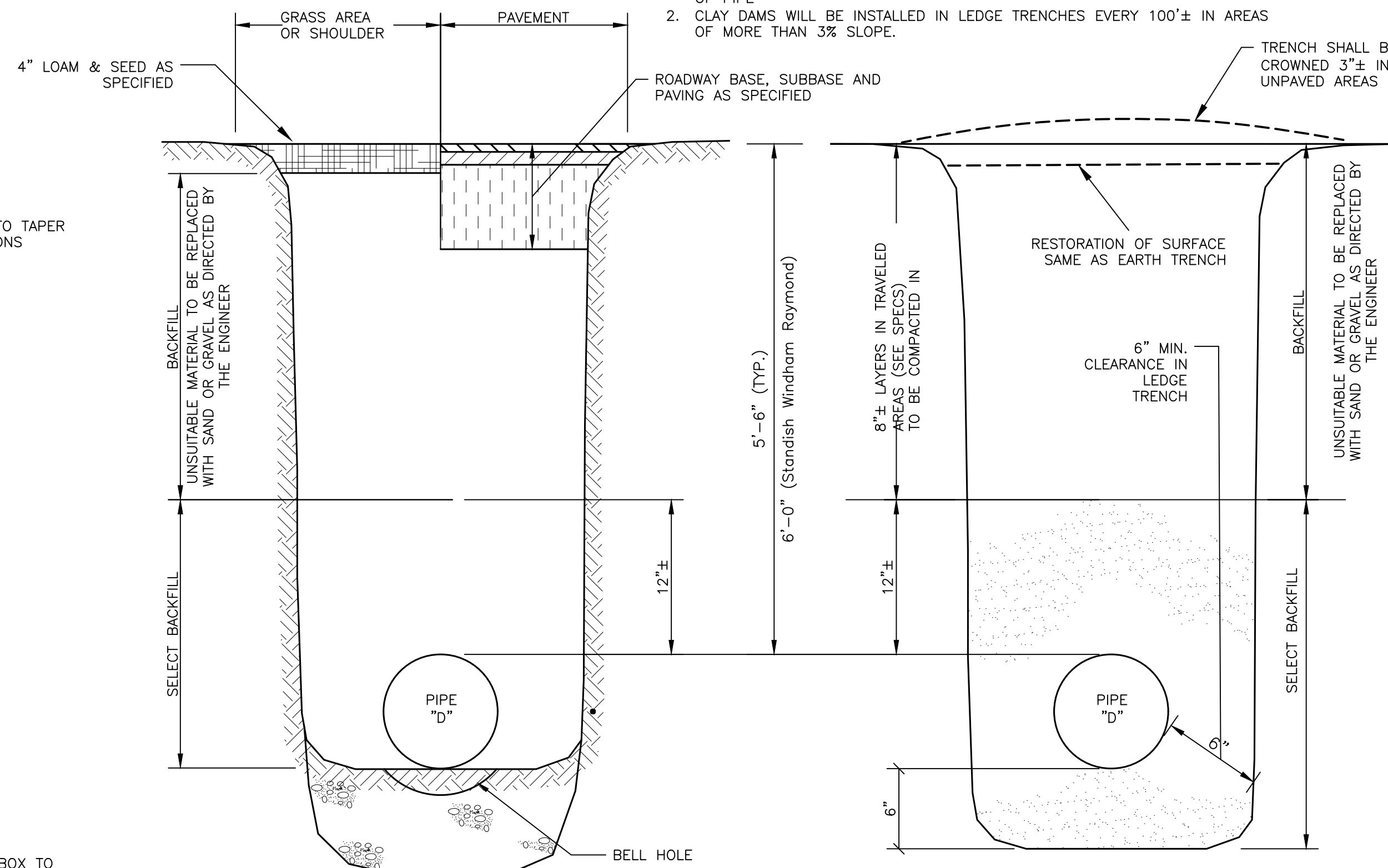
D



STANDARD BEND BLOCKING

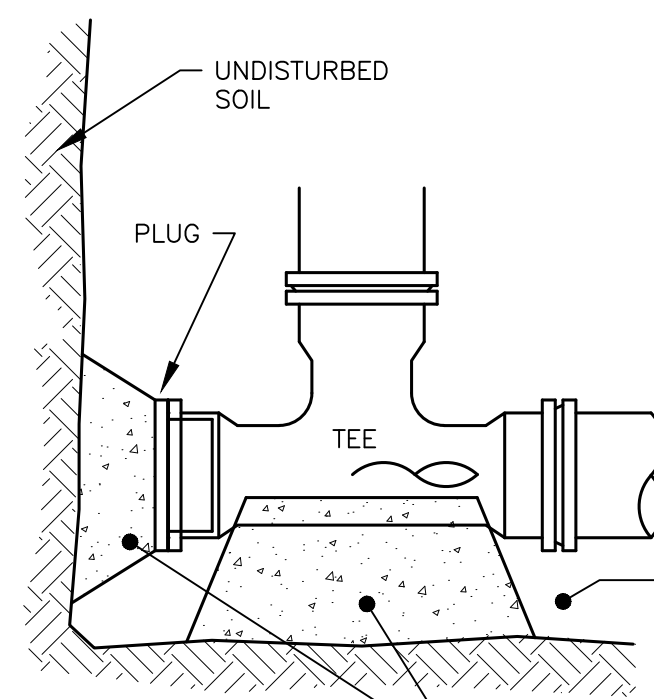
TRENCH NOTES

1. MAX PAY LIMITS SHALL BE 1.5 TIMES THE PIPE DIAMETER ON EACH SIDE OF PIPE
2. CLAY DAMS WILL BE INSTALLED IN LEDGE TRENCHES EVERY 100'± IN AREAS OF MORE THAN 3% SLOPE.

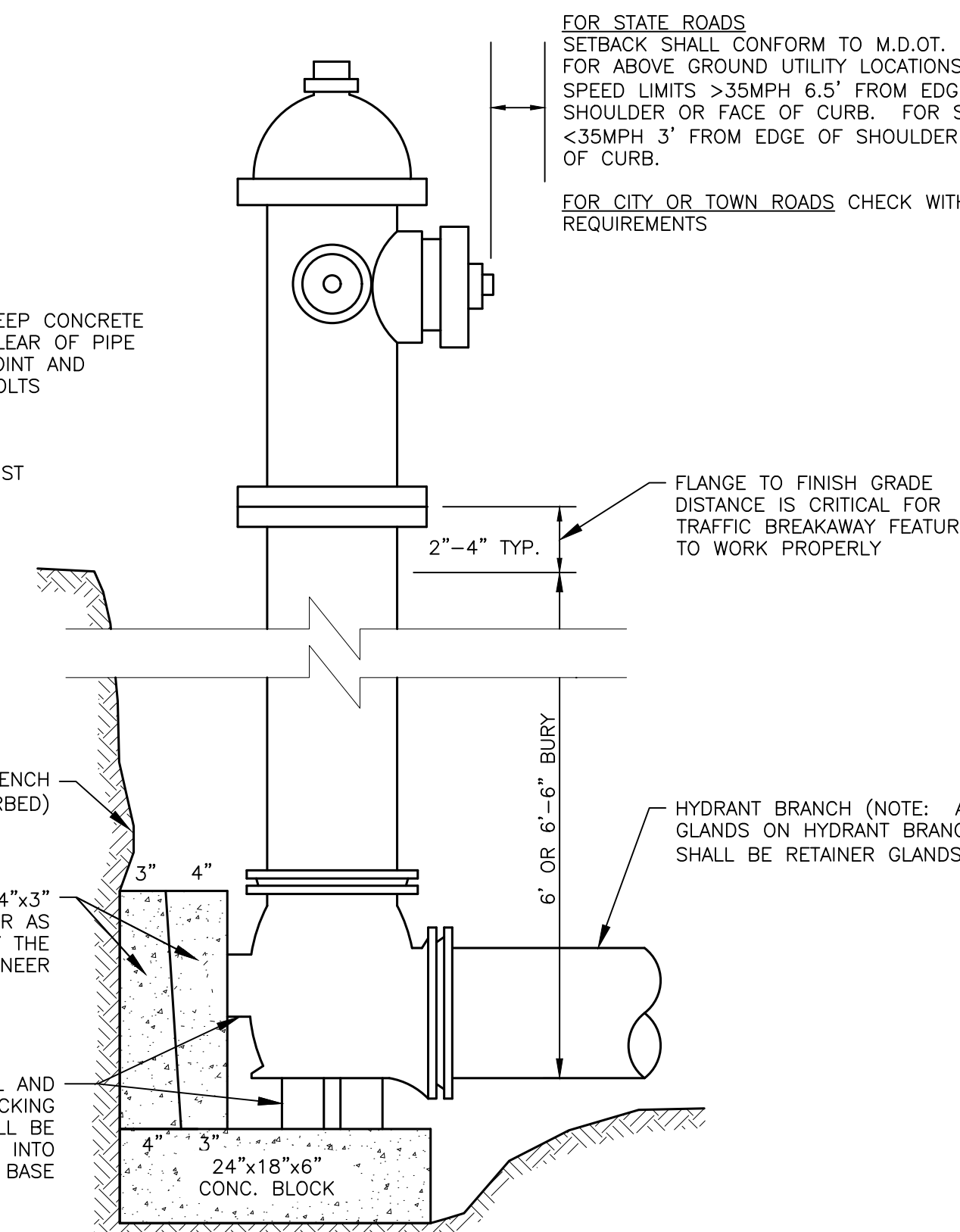


SECTION THRU EARTH TRENCH

SECTION THRU LEDGE TRENCH



NOTE: IF DEAD END WITH TEE, THRUST BLOCK WOULD BE REQUIRED OR AS DIRECTED BY THE ENGINEER



TYPICAL HYDRANT INSTALLATION DETAIL

REV	DESCRIPTION	DATE
10/11	CHECKED BY: CSJ	
	DESIGNED BY: TAW	
	DRAWN BY: SMO-2015.DWG	

STANDARD WATER DETAILS

PORTLAND WATER DISTRICT	STANDARD DETAILS
-------------------------	------------------

JOB NO.:
DATE: 10/01/2007
SCALE: AS NOTED
SHEET: 1 OF 2

1

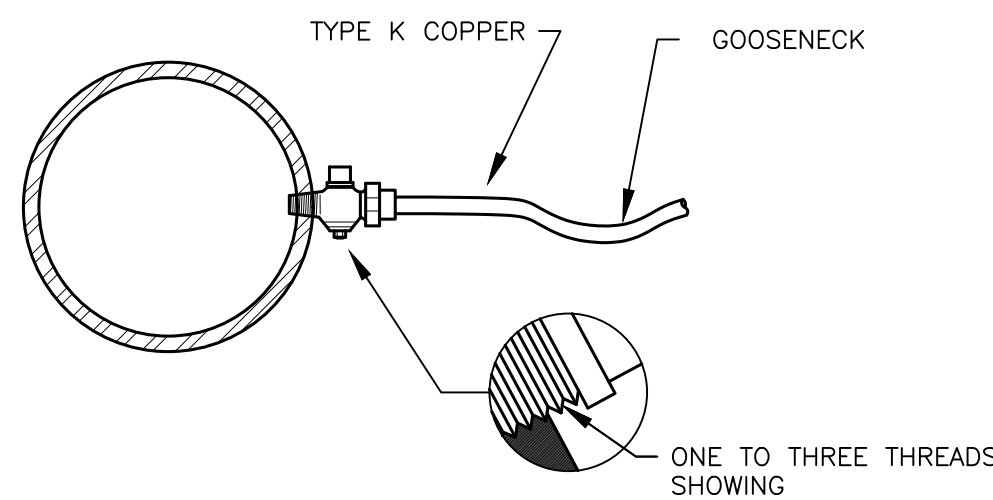
2

3

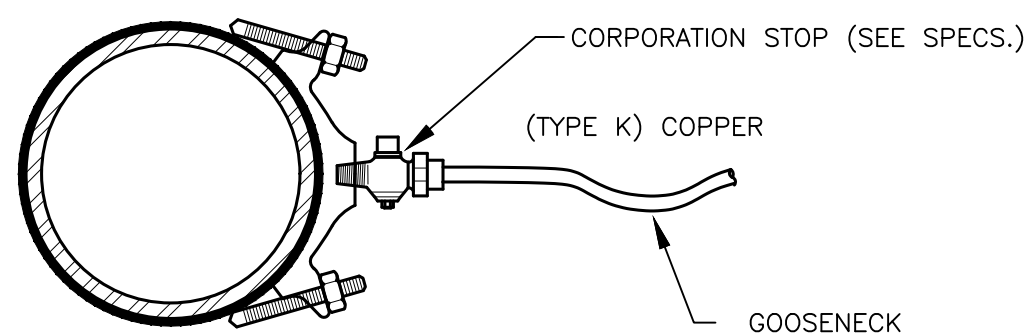
4

5

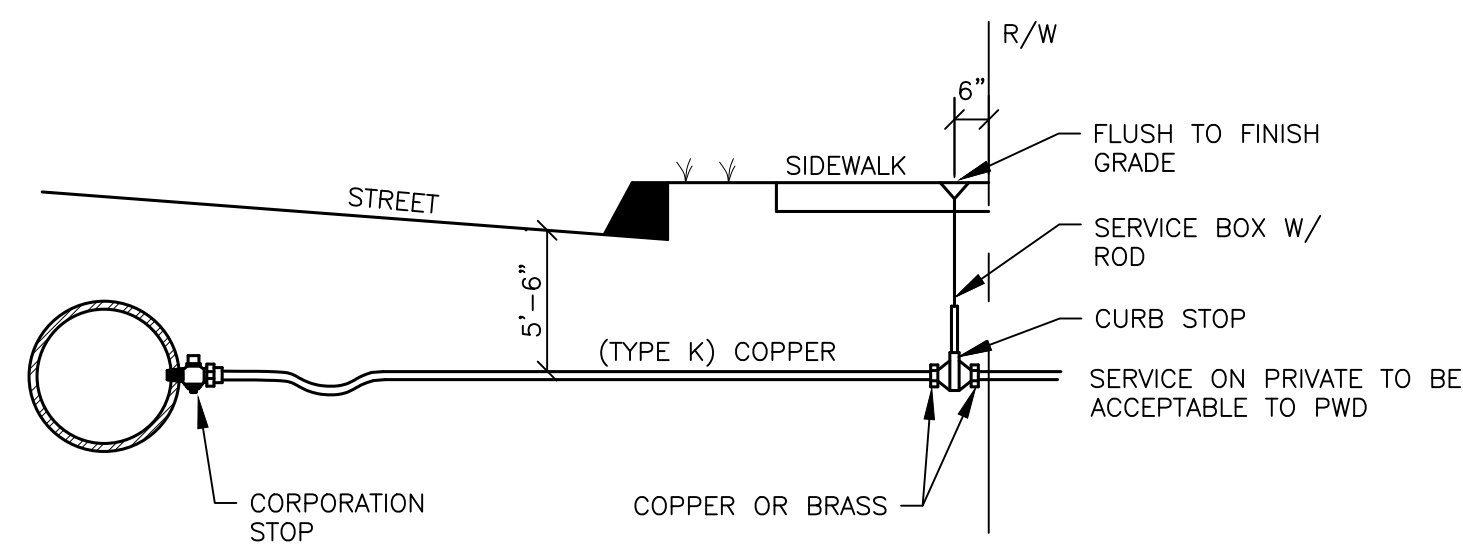
6



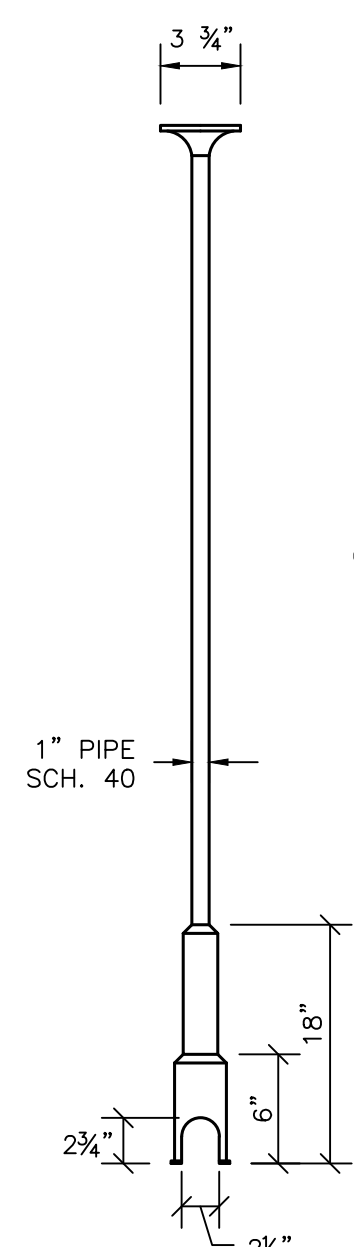
SERVICE TAP
(3/4" AND 1" C.C. THREAD)



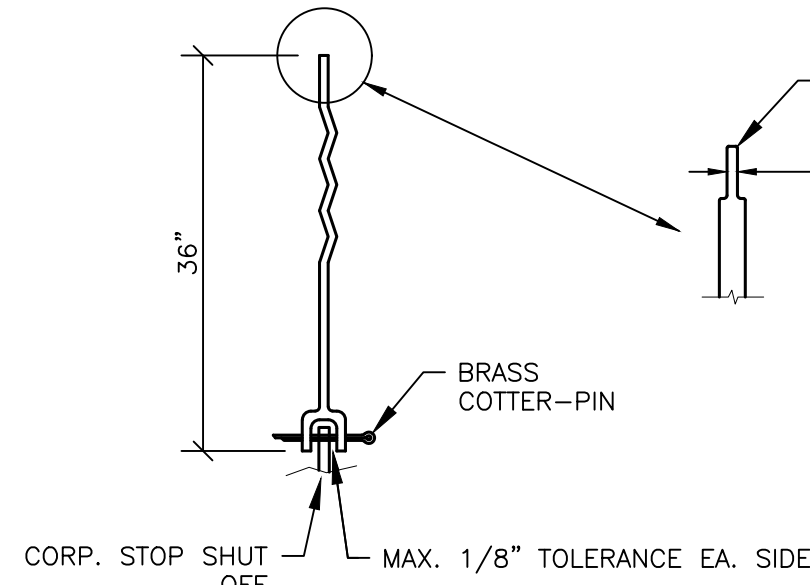
SERVICE SADDLE
(1-1/2" AND 2" C.C. THREAD)



TYPICAL SERVICE CONNECTION



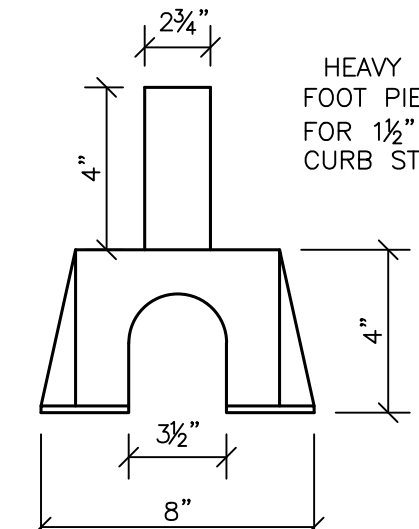
SERVICE BOX



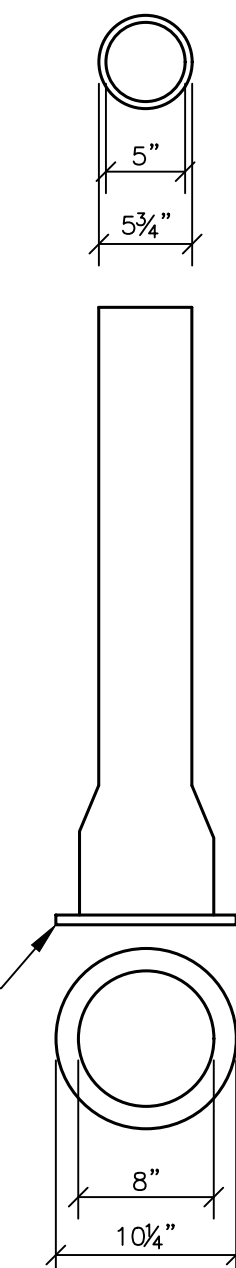
SERVICE ROD



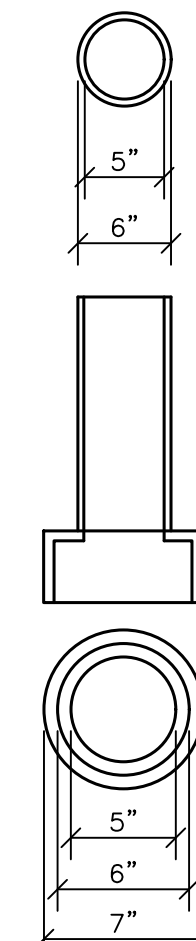
COVER



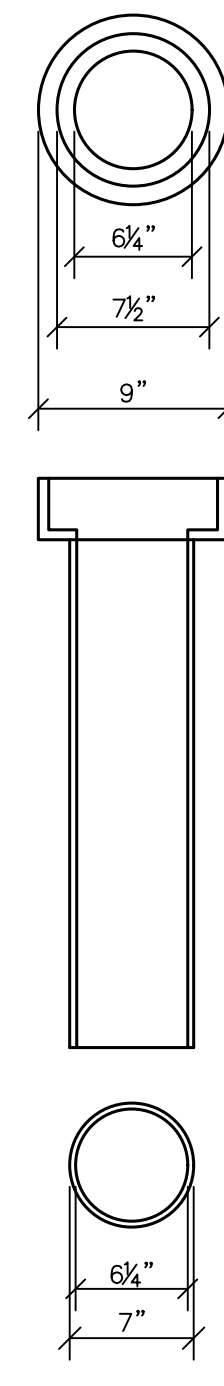
FOOT PIECE



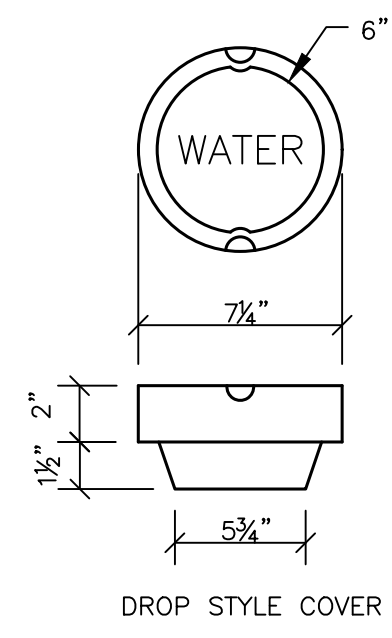
BASE SECTION NO. 645



INTERMEDIATE SECTION NO.58



TOP SECTION NO.56



DROP STYLE COVER

(NUMBERS ARE FOR 5 1/4" BUFFALO VALVE BOXES)
(BASE SECTION MAY BE USED AS INTERMEDIATE SECTION)

- NOTE: ANY EXTENSION OF SERVICE BOX REQUIRES:
1. 1" FEMALE IRON PIPE COUPLING
 2. 1" THREADED PIPE (THIS IS TO BE A NON-WELDED, TWO PIECE ARRANGEMENT. SLIP ON ADAPTERS ARE NOT PERMISSIBLE.)

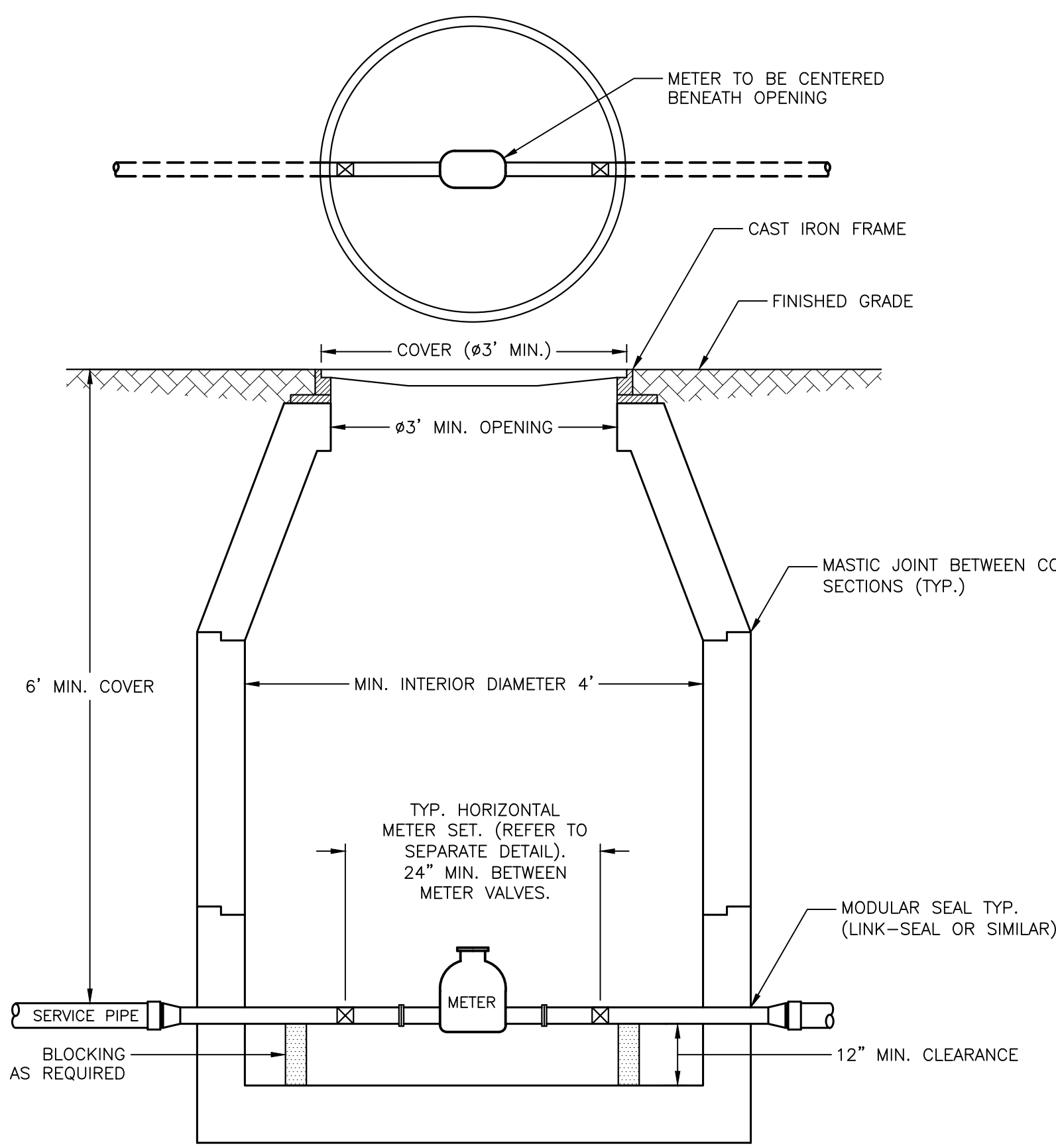
VALVE BOX & COVER

A

B

C

D



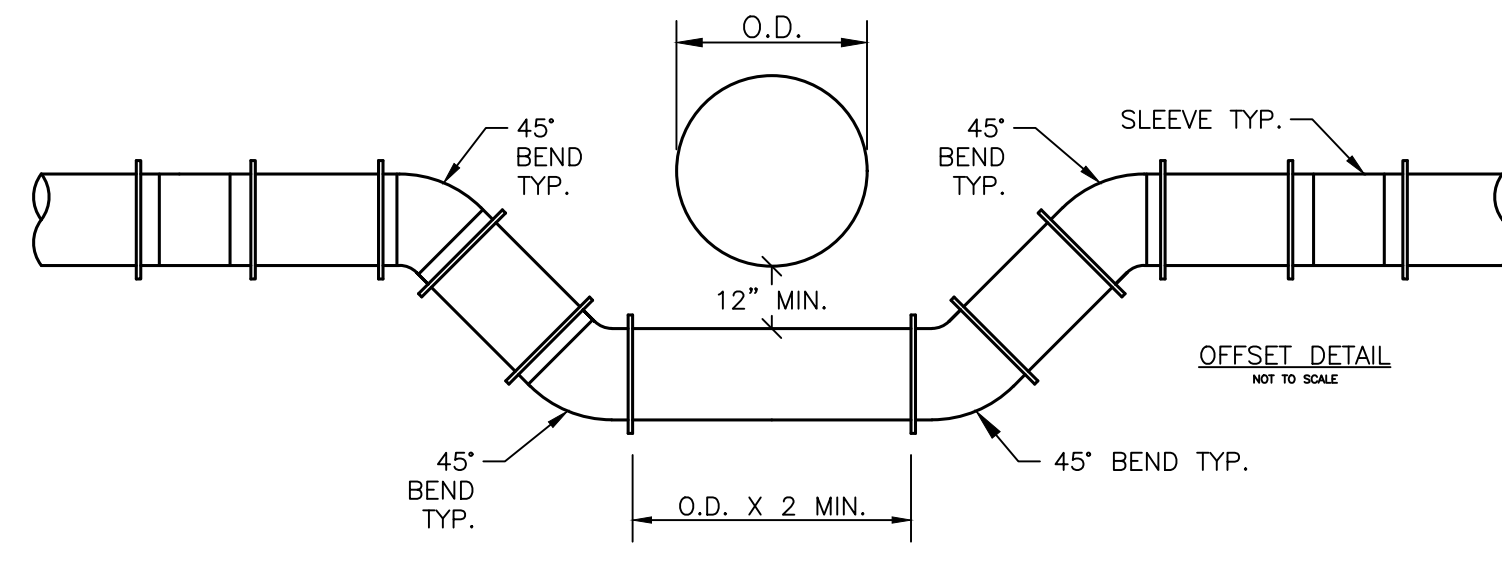
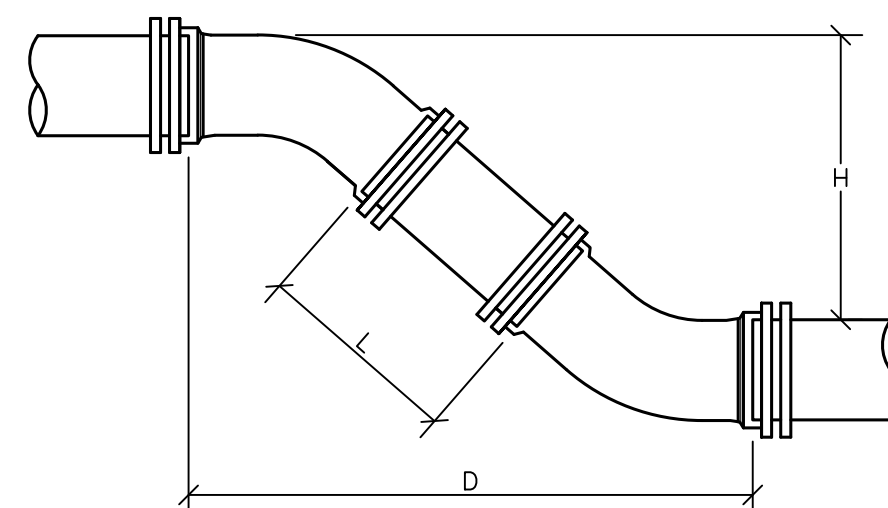
TYPICAL SMALL METER PIT
(5/8" TO 2" METER)

METER PIT AND COVER NOTES

1. THE METER PIT SHALL BE SUPPLIED AND INSTALLED BY THE CUSTOMER AND LOCATED ON PRIVATE PROPERTY BETWEEN 10' AND 20' FROM THE PROPERTY LINE.
2. THE METER PIT SHALL BE MADE OF PRECAST CONCRETE OF SUFFICIENT SIZE TO PROVIDE 5.5' MINIMUM GROUND COVER FROM FINISHED GRADE TO THE TOP OF THE SERVICE PIPE. ANY SEAMS BETWEEN CONCRETE SECTIONS SHALL BE SEALED WITH MASTIC JOINT. ALL OPENINGS IN THE CONCRETE FOR SERVICE PIPING SHALL BE SEALED WITH A MODULAR SEAL (LINK-SEAL OR SIMILAR).
3. THE INTERIOR OF THE METER PIT SHALL BE A MINIMUM OF 4' IN DIAMETER, AND THE METER PIT OPENING SHALL BE A MINIMUM OF 30" IN DIAMETER WITH A CAST IRON FRAME. THE METER PIT COVER SHALL BE CAST IRON, 32" MINIMUM IN DIAMETER, AND BE EITHER PERMANENTLY LABELED "WATER" OR HAVE NO LABEL. ANY STEEL PLATE MATERIAL SHALL BE COATED WITH A RUST INHIBITOR PAINT.
4. WALL-MOUNTED LADDER RUNGS SHALL NOT BE INSTALLED WITHIN METER PIT.
5. ALL PIPING INSIDE AND EXTENDING THROUGH THE METER PIT SHALL BE MADE OF COPPER, WITH A MINIMUM OF 6" CLEARANCE FROM THE METER PIT FLOOR. BLOCKING SHALL BE INSTALLED AS REQUIRED TO SUPPORT THE PIPE.
6. CUSTOMER SHALL ENSURE THE METER PIT AND COVER ARE PROPERLY RATED FOR TRAFFIC FLOW, IF APPLICABLE.

METER NOTES

7. ONLY PWD PERSONNEL ARE AUTHORIZED TO INSTALL WATER METERS. PWD PERSONNEL ARE ADDITIONALLY AUTHORIZED TO OPERATE METER VALVES AS NEEDED FOR INSTALLATION AND MAINTENANCE.
8. PWD WILL SUPPLY THE WATER METER. ALL OTHER FITTINGS, INCLUDING A METER RESETTER FOR 1" OR SMALLER METERS, SHALL BE SUPPLIED AND INSTALLED BY CUSTOMER.
9. FOR 1.5" AND 2" METERS, CUSTOMER SHALL INSTALL A FLANGED METER SPOOL PIECE, SUPPLIED BY PWD AT NO ADDITIONAL CHARGE, PRIOR TO METER SET. THE METER SPOOL WILL BE MADE AVAILABLE FOR CUSTOMER PICKUP AT PWD CUSTOMER SERVICE, 225 DOUGLASS STREET, PORTLAND DURING NORMAL BUSINESS HOURS.
10. CUSTOMER WILL INSTALL TWO BALL VALVES AT LEAST 24" APART FOR METER INSTALLATION, ALLOWING FOR THE WATER METER TO BE CENTERED UNDER THE METER PIT OPENING. THE BALL VALVES SHALL BE SOLDERED IN PLACE.
11. THE METER PIT MAY HOUSE UP TO TWO 5/8", 3/4" OR 1" METERS WITH PRIOR APPROVAL FROM PWD.



NOTE: DIMENSIONS APPLICABLE FOR SIGMA COMPACT BENDS. FOR TYLER COMPACT BENDS, ADD 1/2" TO "D" DIMENSION AND SUBTRACT 1/2" FROM "L" DIMENSION. FOR OTHER FITTINGS REFER TO MANUFACTURER'S RECOMMENDATIONS.

H	6" PIPE		8" PIPE		12" PIPE	
	D	L	D	L	D	L
12"	1' 6-1/2"	0' 10-1/2"	1' 7-1/2"	0' 9-1/2"	1' 11-1/2"	0' 5-1/2"
13"	1' 7-1/2"	0' 11-7/8"	1' 8-1/2"	0' 10-7/8"	2' 0-1/2"	0' 6-7/8"
14"	1' 8-1/2"	1' 1-5/16"	1' 9-1/2"	1' 0-5/16"	2' 1-1/2"	0' 8-5/16"
15"	1' 9-1/2"	1' 2-11/16"	1' 10-1/2"	1' 1-11/16"	2' 2-1/2"	0' 9-11/16"
16"	1' 10-1/2"	1' 4-1/8"	1' 11-1/2"	1' 3-1/8"	2' 3-1/2"	0' 11-1/8"
17"	1' 11-1/2"	1' 5-9/16"	2' 0-1/2"	1' 4-9/16"	2' 4-1/2"	1' 0-9/16"
18"	2' 0-1/2"	1' 6-15/16"	2' 1-1/2"	1' 5-15/16"	2' 5-1/2"	1' 1-15/16"
19"	2' 1-1/2"	1' 8-3/8"	2' 2-1/2"	1' 7-3/8"	2' 6-1/2"	1' 3-3/8"
20"	2' 2-1/2"	1' 9-13/16"	2' 3-1/2"	1' 8-13/16"	2' 7-1/2"	1' 4-13/16"
21"	2' 3-1/2"	1' 11-3/16"	2' 4-1/2"	1' 10-3/16"	2' 8-1/2"	1' 5-3/16"
22"	2' 4-1/2"	2' 0-5/8"	2' 5-1/2"	1' 11-5/8"	2' 9-1/2"	1' 7-5/8"
23"	2' 5-1/2"	2' 2"	2' 6-1/2"	2' 1"	2' 10-1/2"	1' 9"
24"	2' 6-1/2"	2' 3-7/16"	2' 7-1/2"	2' 2-7/16"	2' 11-1/2"	1' 10-7/16"
25"	2' 7-1/2"	2' 4-7/8"	2' 8-1/2"	2' 3-7/8"	3' 0-1/2"	1' 11-7/8"
26"	2' 8-1/2"	2' 6-1/4"	2' 9-1/2"	2' 5-1/4"	3' 1-1/2"	2' 1-1/4"
27"	2' 9-1/2"	2' 7-11/16"	2' 10-1/2"	2' 6-11/16"	3' 2-1/2"	2' 2-11/16"
28"	2' 10-1/2"	2' 9-1/8"	2' 11-1/2"	2' 8-1/8"	3' 3-1/2"	2' 4-1/8"
29"	2' 11-1/2"	2' 10-1/2"	3' 0-1/2"	2' 9-1/2"	3' 4-1/2"	2' 5-1/2"
30"	3' 0-1/2"	2' 11-15/16"	3' 1-1/2"	2' 10-15/16"	3' 5-1/2"	2' 6-15/16"
31"	3' 1-1/2"	3' 1-5/16"	3' 2-1/2"	3' 0-5/16"	3' 6-1/2"	2' 8-5/16"
32"	3' 2-1/2"	3' 2-3/4"	3' 3-1/2"	3' 1-3/4"	3' 7-1/2"	2' 9-3/4"
33"	3' 3-1/2"	3' 4-3/16"	3' 4-1/2"	3' 3-3/16"	3' 8-1/2"	2' 11-3/16"
34"	3' 4-1/2"	3' 5-9/16"	3' 5-1/2"	3' 4-9/16"	3' 9-1/2"	3' 0-9/16"
35"	3' 5-1/2"	3' 7"	3' 6-1/2"	3' 6"	3' 10-1/2"	3' 2"
36"	3' 6-1/2"	3' 8-7/16"	3' 7-1/2"	3' 7-7/16"	3' 11-1/2"	3' 3-7/16"
37"	3' 7-1/2"	3' 9-13/16"	3' 8-1/2"	3' 8-13/16"	4' 0-1/2"	3' 4-13/16"
38"	3' 8-1/2"	3' 11-1/4"	3' 9-1/2"	3' 10-1/4"	4' 1-1/2"	3' 6-1/4"
39"	3' 9-1/2"	4' 0-11/16"	3' 10-1/2"	3' 11-11/16"	4' 2-1/2"	3' 8-11/16"
40"	3' 10-1/2"	4' 2-1/16"	3' 11-1/2"	4' 1-1/16"	4' 3-1/2"	3' 9-1/16"
41"	3' 11-1/2"	4' 3-1/2"	4' 0-1/2"	4' 2-1/2"	4' 4-1/2"	3' 10-1/2"
42"	4' 1-1/2"	4' 4-7/8"	4' 1-1/2"	4' 3-7/8"	4' 5-1/2"	3' 11-7/8"
43"	4' 1-1/2"	4' 6-5/16"	4' 2-1/2"	4' 5-5/16"	4' 6-1/2"	4' 1-5/16"
44"	4' 2-1/2"	4' 7-3/4"	4' 3-1/2"	4' 6-3/4"	4' 7-1/2"	4' 2-3/4"
45"	4' 3-1/2"	4' 9-1/8"	4' 4-1/2"	4' 8-1/8"	4' 8-1/2"	4' 4-1/8"
46"	4' 4-1/2"	4' 10-9/16"	4' 5-1/2"	4' 9-9/16"	4' 9-1/2"	4' 5-9/16"
47"	4' 5-1/2"	4' 11-15/16"	4' 6-1/2"	4' 10-15/16"	4' 10-1/2"	4' 6-15/16"
48"	4' 6-1/2"	5' 1-3/8"	4' 7-1/2"	5' 0-3/8"	4' 11-1/2"	4' 8-3/8"
49"	4' 7-1/2"	5' 2-13/16"	4' 8-1/2"	5' 1-13/16"	5' 0-1/2"	4' 9-13/16"
50"	4' 8-1/2"	5' 4-3/16"	4' 9-1/2"	5' 3-3/16"	5' 1-1/2"	4' 11-3/16"
51"	4' 9-1/2"	5' 5-5/8"	4' 10-1/2"	5' 4-5/8"	5' 2-1/2"	5' 0-5/8"
52"	4' 10-1/2"	5' 7-1/16"	4' 11-1/2"	5' 6-1/16"	5' 3-1/2"	5' 2-1/16"
53"	4' 11-1/2"	5' 8-7/16"	5' 0-1/2"	5' 7-7/16"	5' 4-1/2"	5' 3-7/16"
54"	5' 0-1/2"	5' 9-7/8"	5' 1-1/2"	5' 8-7/8"	5' 5-1/2"	5' 4-7/8"
55"	5' 1-1/2"	5' 11-5/16"	5' 2-1/2"	5' 10-5/16"	5' 6-1/2"	5' 6-5/16"

TYPICAL MAIN OFFSET

REV	DESCRIPTION	DATE
12/16	CSJ MAIN OFFSET	
03/15	CSJ METER PIT DETAIL	
10/11	CSJ TYP. OFFSET & CHART	

CHECKED BY: CSJ
DESIGNED BY: TAW
DRAWN BY: SMO-2015.DWG