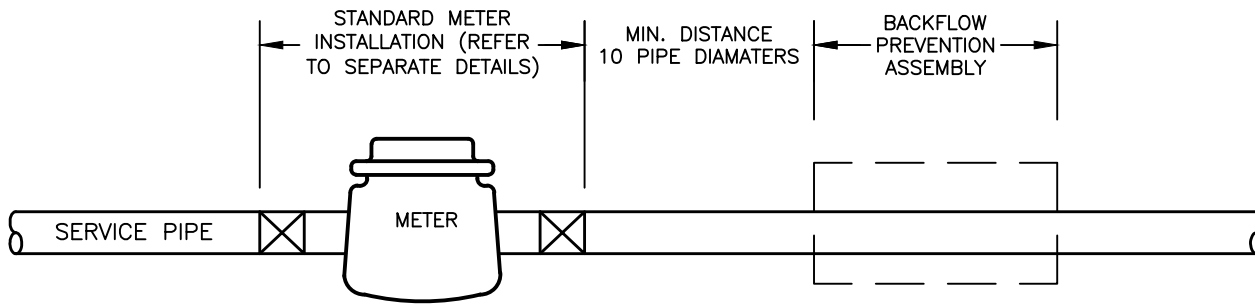
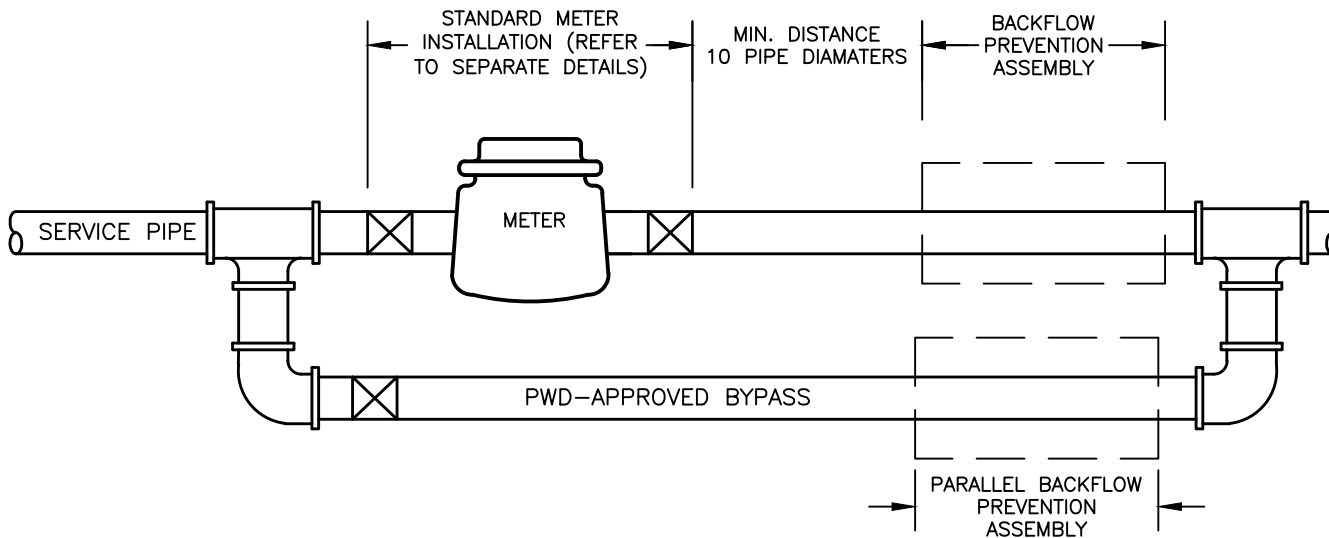


NOTES



TYPICAL BACKFLOW PREVENTION CONFIGURATION



TYPICAL BACKFLOW CONFIGURATION WITH APPROVED BYPASS

1. PWD WILL SPECIFY THE TYPE OF BACKFLOW PREVENTION REQUIRED BASED ON TYPE OF SERVICE AND LEVEL OF IMPACT ON WATER QUALITY AND PUBLIC HEALTH.
3. ALL COMMERCIAL CUSTOMERS ARE REQUIRED TO INSTALL BACKFLOW PREVENTION.
4. CUSTOMER SHALL SUPPLY, INSTALL AND MAINTAIN REQUIRED DEVICE(S) IN ACCORDANCE WITH MANUFACTURER SPECIFICATIONS AND PWD'S CROSS CONNECTION GUIDELINES.
5. DEVICE(S) SHALL BE INSTALLED DOWNSTREAM OF THE WATER METER AND METER VALVES, WITH A MINIMUM DISTANCE OF TEN PIPE DIAMETERS BETWEEN THE METER AND THE BACKFLOW PREVENTION ASSEMBLY.
6. BYPASSING A BACKFLOW DEVICE WILL NOT BE ALLOWED UNLESS PROTECTED BY A SECOND BACKFLOW DEVICE. PARALLEL BACKFLOW PREVENTERS MAY BE INSTALLED BY THE CUSTOMER IF THE WATER SUPPLY CANNOT BE INTERRUPTED DURING ANNUAL TESTING OR DURING MAINTENANCE PROCEDURES.
7. PWD WILL VERIFY BACKFLOW PREVENTION WHEN THE METER IS INSTALLED. PWD OPERATORS MUST HAVE ACCESS TO BACKFLOW PREVENTION DEVICES AT THIS TIME.
8. THE BACKFLOW DEVICE SHOULD BE EQUIPPED WITH A RELIEF VALVE ASSEMBLY, WHICH UNDER CERTAIN CONDITIONS MAY DUMP LARGE VOLUMES OF WATER. CONSEQUENTLY, ADEQUATE DRAINAGE SHOULD BE PROVIDED.
9. THE INSTALLATION OF A STRAINER IS STRONGLY RECOMMENDED TO PROTECT THE DISKS FROM UNNECESSARY FOULING.
10. INSTALLATION OF BACKFLOW DEVICES WITHIN METER PITS IS NOT ALLOWED UNLESS OTHERWISE AUTHORIZED BY PWD.
11. CUSTOMERS ARE REQUIRED TO HAVE BACKFLOW PREVENTION DEVICES INSPECTED ANNUALLY BY A PERSON CERTIFIED BY THE NEW ENGLAND WATER WORKS ASSOCIATION OR AMERICAN BACKFLOW PREVENTION ASSOCIATION.
12. AS A QUALITY ASSURANCE MEASURE, PWD WILL RANDOMLY INSPECT BACKFLOW PREVENTION DEVICES. IF CHOSEN FOR RANDOM TESTING, THE CUSTOMER WILL NOT BE CHARGED FOR THIS SERVICE.



Portland Water District

ASSET MANAGEMENT & PLANNING DEPARTMENT
 225 DOUGLASS ST, PORTLAND ME 04104-3553 (207)
 207-774-5961 • 207-7761-8307 (FAX) • WWW.PWD.ORG

DATE	REVISION	SCALE: NTS	BACKFLOW PREVENTION	
		DATE: 06/15/14		
		DRAWN BY: TAW	STANDARD METER SET DETAILS	
		CHECKED BY: JRS		
		APPROVED BY: GSJ	PROJECT NO: NA	SHEET: 1 OF 1
		FILE: WS99-BACKFLOW.DWG		