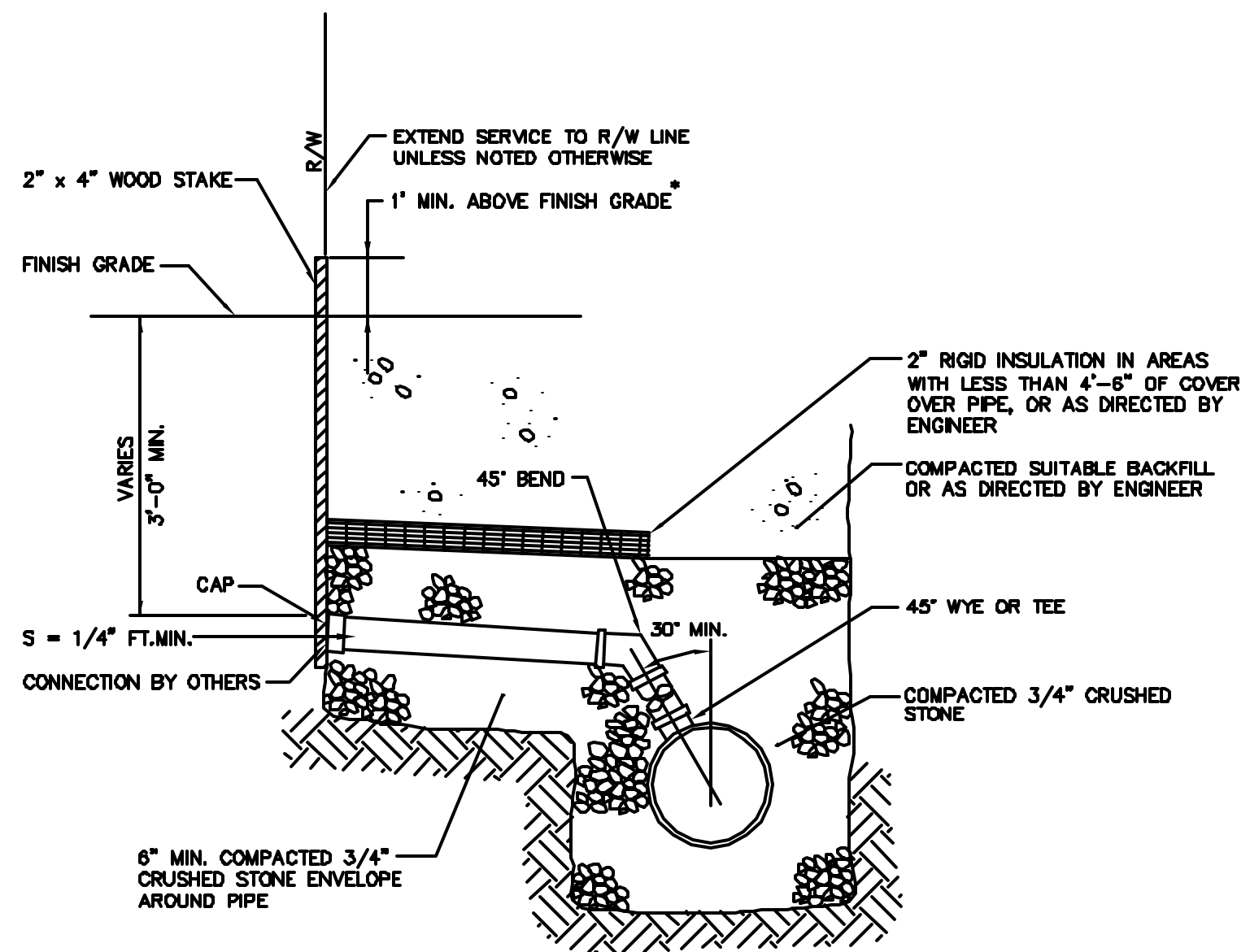
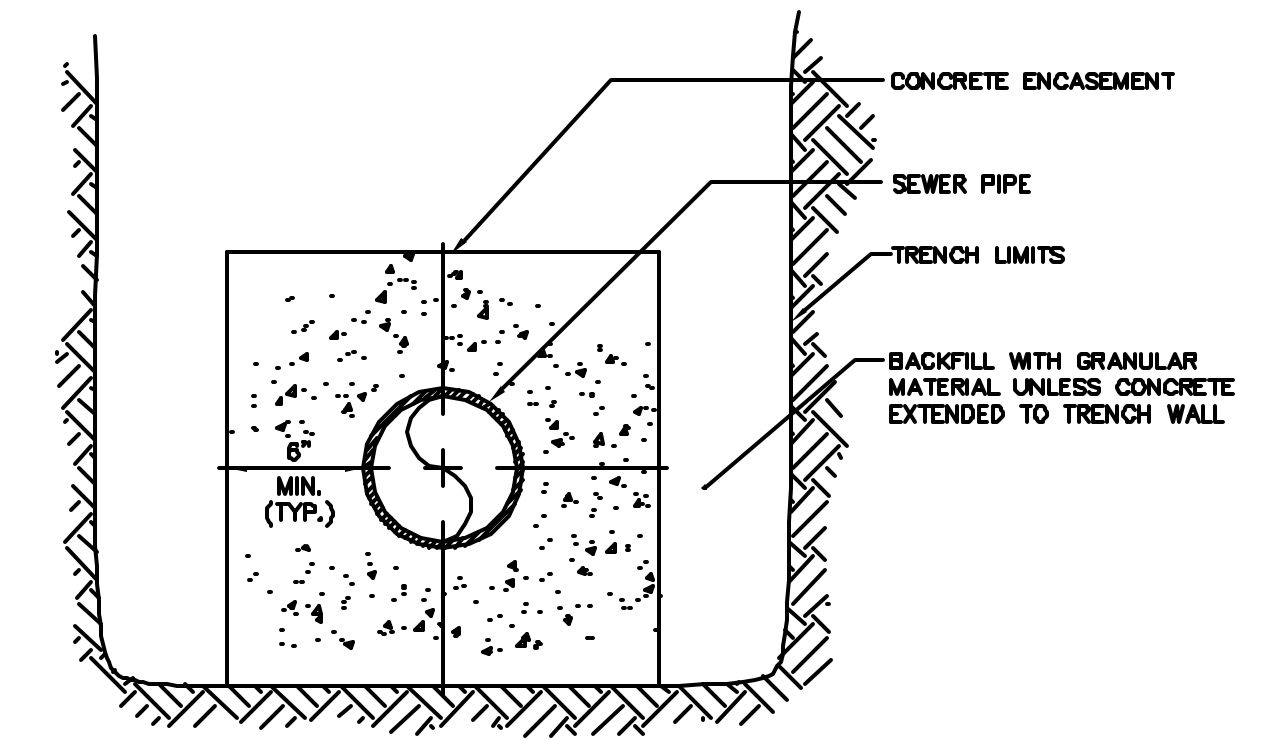


**TWO PIPE TRENCH DETAIL**  
N.T.S.

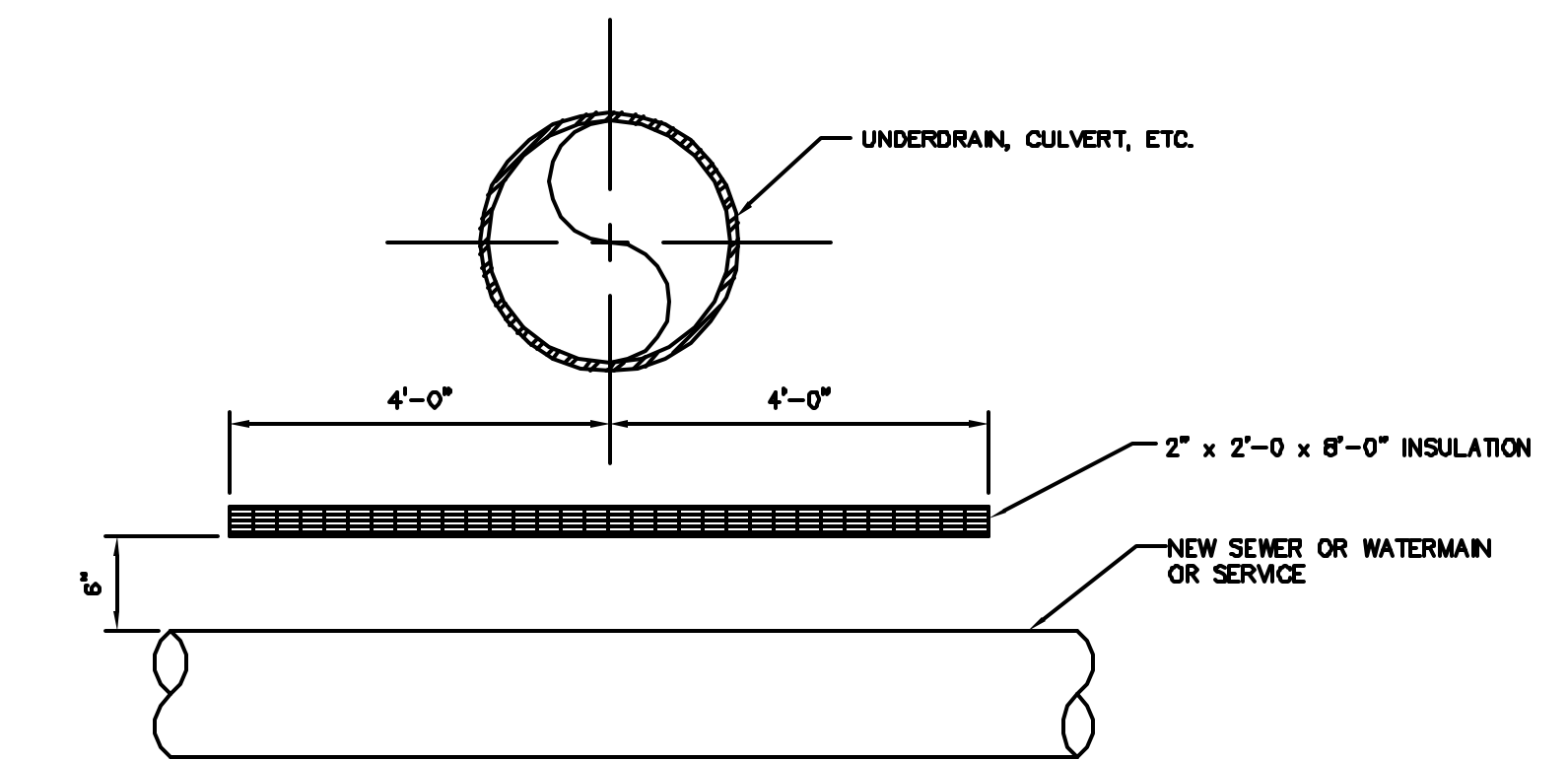


**NOTES:**  
 \* PIPE DIAMETERS MAY VARY, SEE TYPICAL PIPE TRENCH DETAIL, THIS SHEET.  
 \* WHERE 30° MINIMUM ANGLE BETWEEN SEWER CONNECTION AT THE SEWER MAIN AND THE VERTICAL CANNOT BE MAINTAINED, PROVIDE A PRECAST SEWER CHIMNEY.  
 \* IF STAKE IS CUT OFF FLUSH OR SLIGHTLY BELOW GRADE, PROVIDE MIN. OF TWO 16d. GALV. SPIKES DRIVEN INTO TOP OF 2" x 4" TO PROVIDE METAL DETECTABILITY.

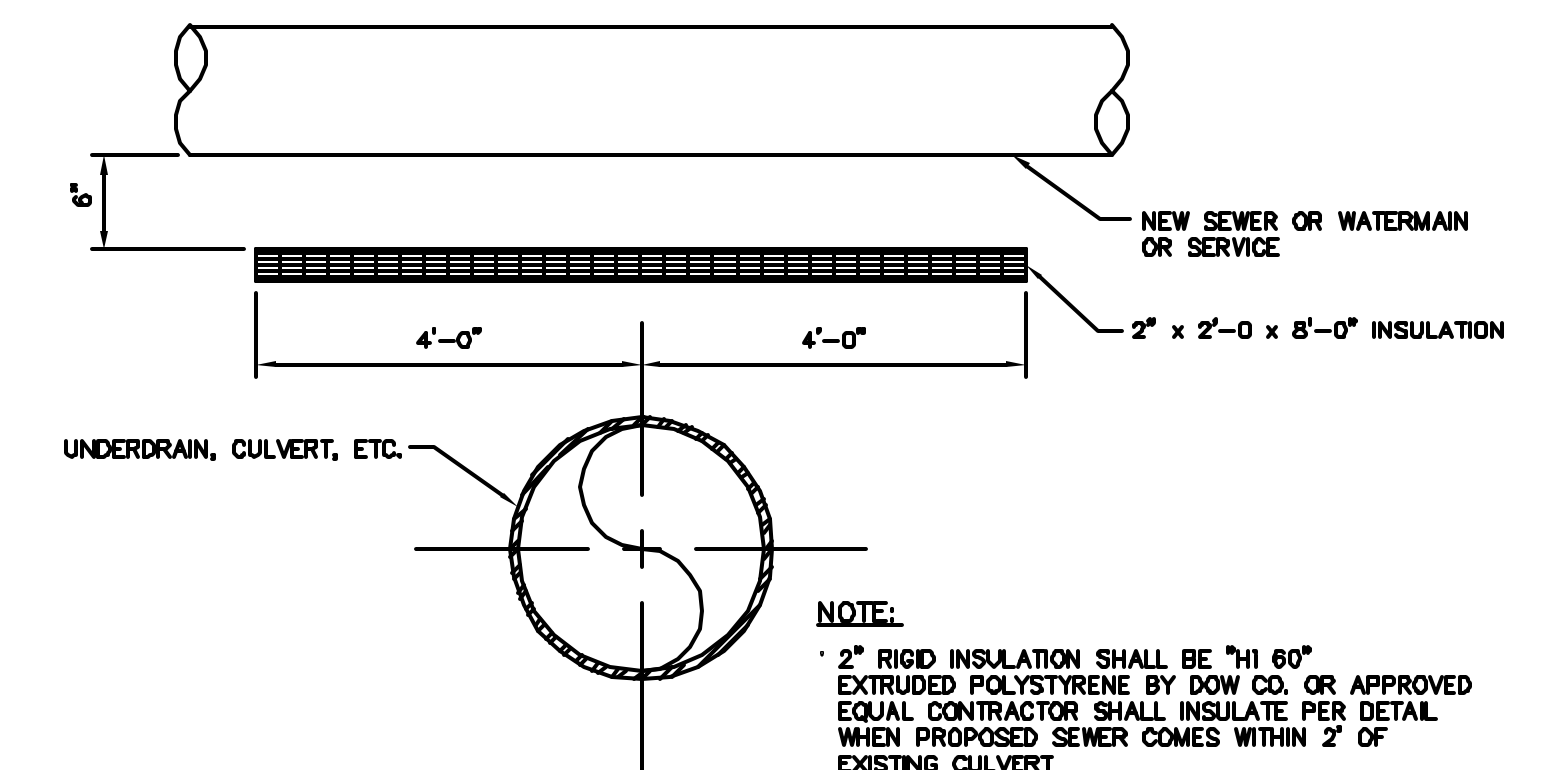
**HORIZONTAL SEWER CONNECTION**  
N.T.S.



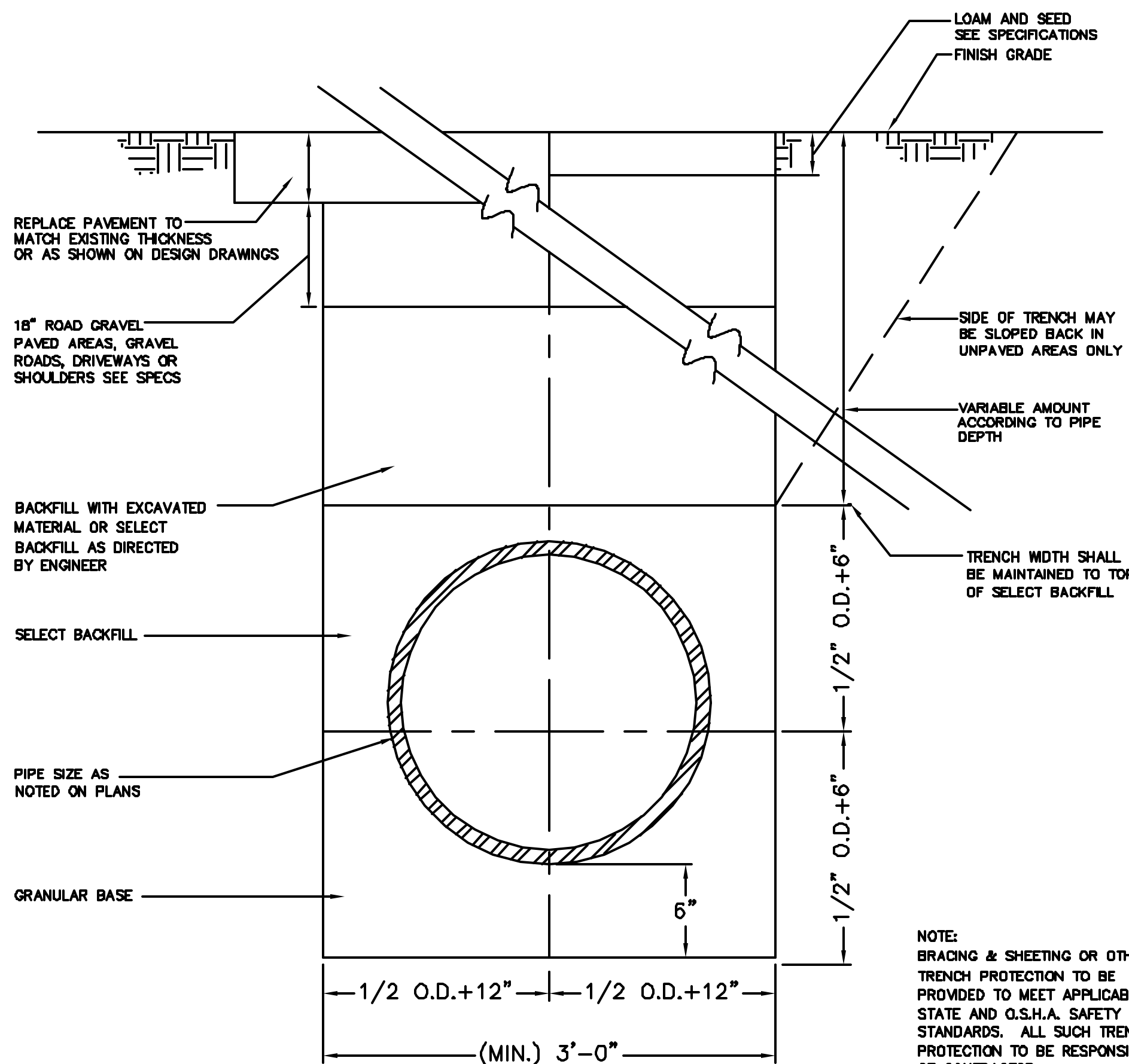
**CONCRETE ENCASEMENT FOR SEWER MAINS**  
N.T.S.



**INSULATION DETAIL "A"**  
N.T.S.

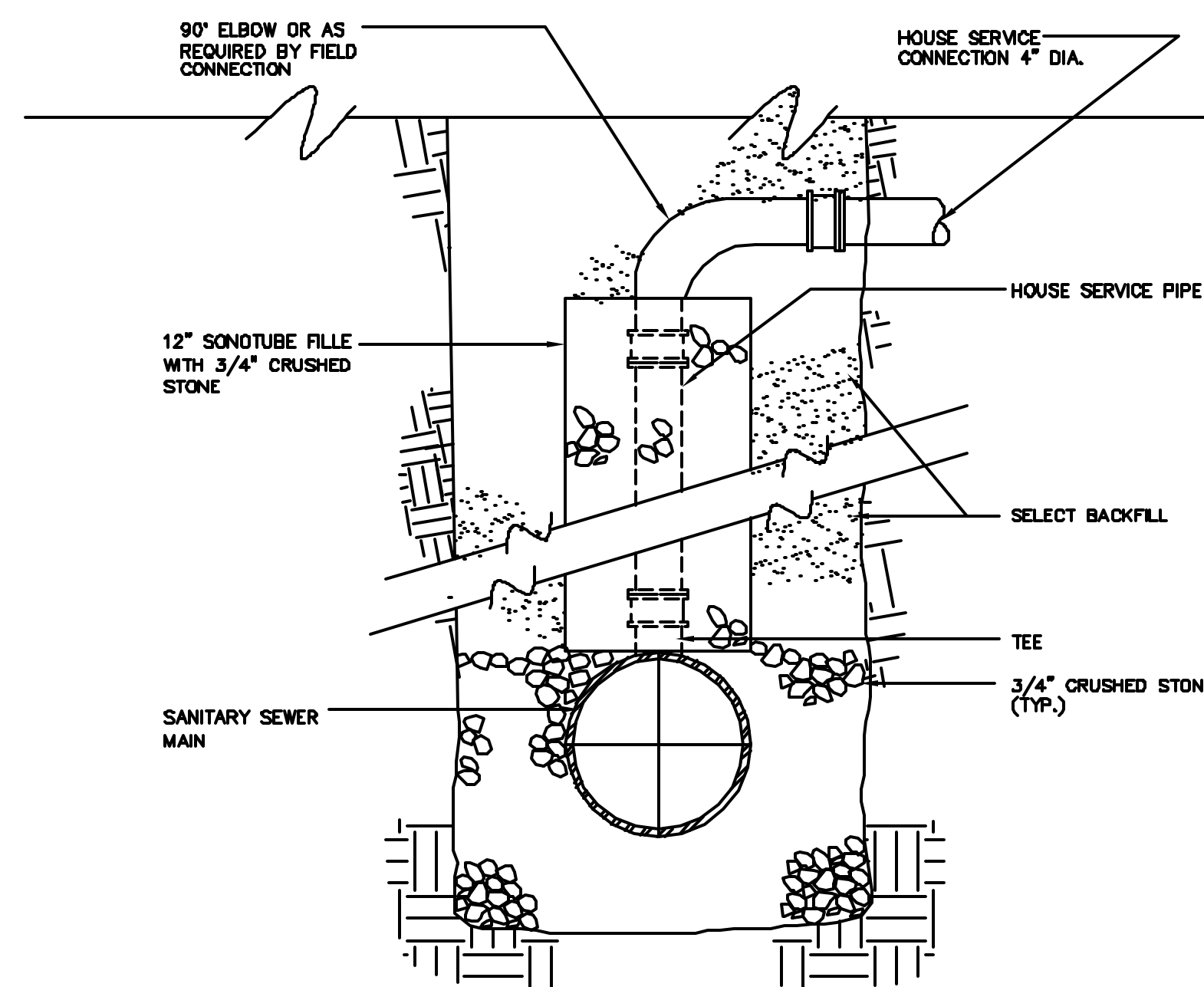


**INSULATION DETAIL "B"**  
N.T.S.



**TRENCH SECTION**  
N.T.S.

**NOTE:**  
 BRACING & SHEETING OR OTHER TRENCH PROTECTION TO BE PROVIDED TO MEET APPLICABLE STATE AND O.S.H.A. SAFETY STANDARDS. ALL SUCH TRENCH PROTECTION TO BE RESPONSIBILITY OF CONTRACTOR.



**CHIMNEY DETAIL**  
N.T.S.

SEWER TRENCH DETAILS			
 <b>Portland Water District</b> ASSET MANAGEMENT & PLANNING DEPT. <small>225 DOUGLASS STREET P.O. 3553 PORTLAND, MAINE 04104-3553</small>			
REVISIONS		DESIGN	CHECK
PROJECT NUMBER	DRAWN	APPROVED	
CAD FILE	FIELD BOOK	SCALE	DATE
SEW-INCH-DET		N.T.S.	
			SHEET 1 OF 1