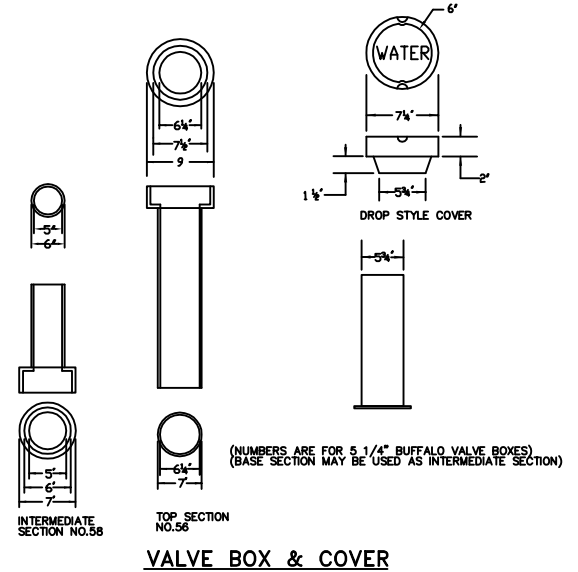
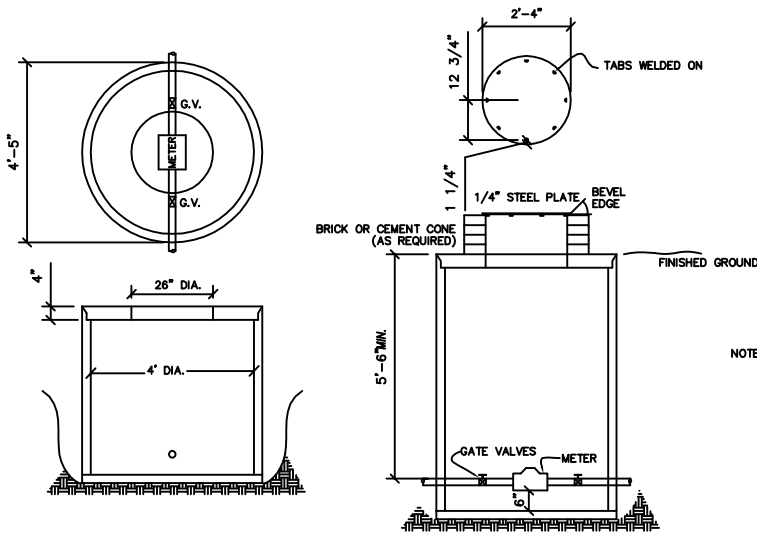


NOTE: ANY EXTENSION OF SERVICE BOX REQUIRES:
1) 1" FEMALE IRON PIPE COUPLING
2) 1" THREADED PIPE
(THIS IS TO BE A NON-WELDED, TWO PIECE ARRANGEMENT. SLIP ON ADAPTERS ARE NOT PERMISSIBLE.)



TYPICAL SERVICE CONNECTION

VALVE BOX & COVER



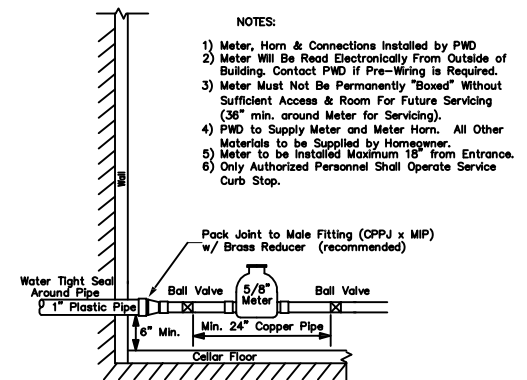
5/8" TO 2" METERS

- METER BOX**
- 1) TO BE INSTALLED AND SUPPLIED BY OWNER
 - 2) MINIMUM 4'-0" DIAMETER CONC. M.H. W/ CEMENT BASE
 - 3) WATER METER TO HAVE 5'-6" OF COVER AND IS TO BE SUPPLIED BY P.W.D.
 - 4) OWNER IS TO SUPPLY 2 VALVES INSIDE OF PIT (MINIMUM SEPARATION OF 2'-0")
 - 5) COPPER PIPE REQUIRED THRU METER PIT

- COVER PLATE**
- 1) COVER MUST WEIGH LESS THAN 60 lbs.
 - 2) MINIMUM SIZE OF COVER WILL BE 28" DIAMETER.
 - 3) IF STEEL PLATE IS USED, TREAT WITH A COAT OF RUST INHIBITING PAINT.

- NOTES**
- 1) THIS PIT IS TO BE PLACED ON PRIVATE PROPERTY NEAR THE STREET LINE.
 - 2) THIS TYPICAL PIT WAS NOT DESIGNED FOR ANY TRAFFIC LOAD
 - 3) THE PIT CAN BE ORDERED THRU OTHERS WITH SPECIAL DETAILS SUCH AS LARGER M.H. COVERS, ETC.
 - 4) THIS PIT WILL HOUSE UP TO TWO 5/8", 3/4", OR 1" METERS

TYPICAL METER PIT



TYP. HORIZONTAL METER SET



NO.	DATE	BY	CHKD	REVISIONS
1				
2				